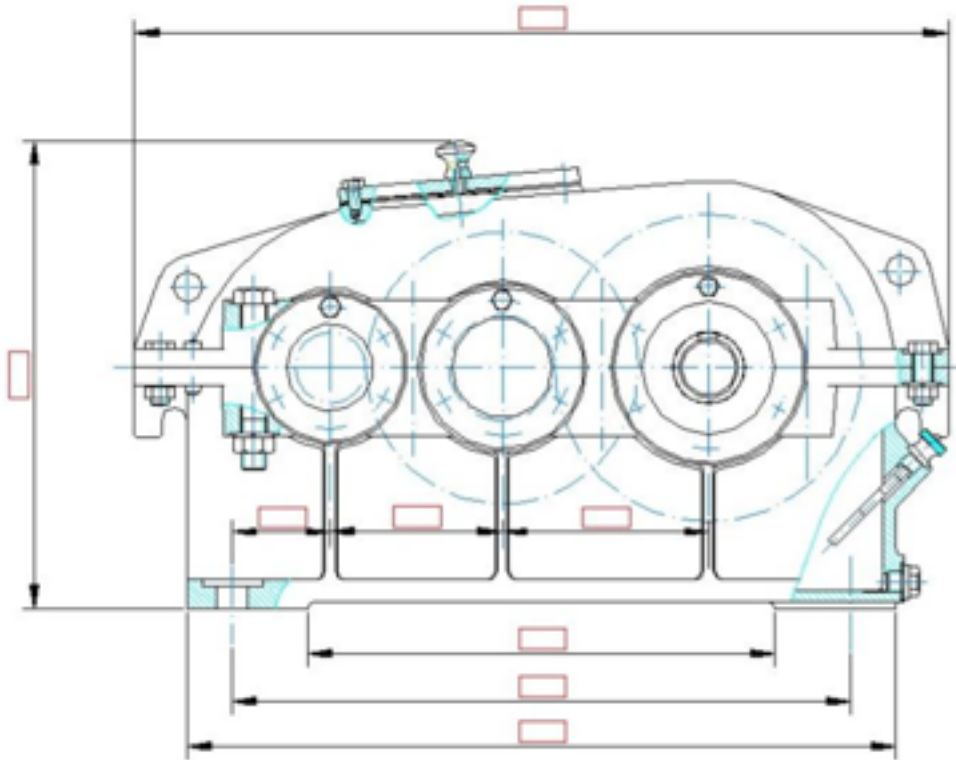


Why specific objects in my drawing are shown as boxes?

1101 kbadmin April 3, 2016 [Tips & Tricks](#) 0 5629

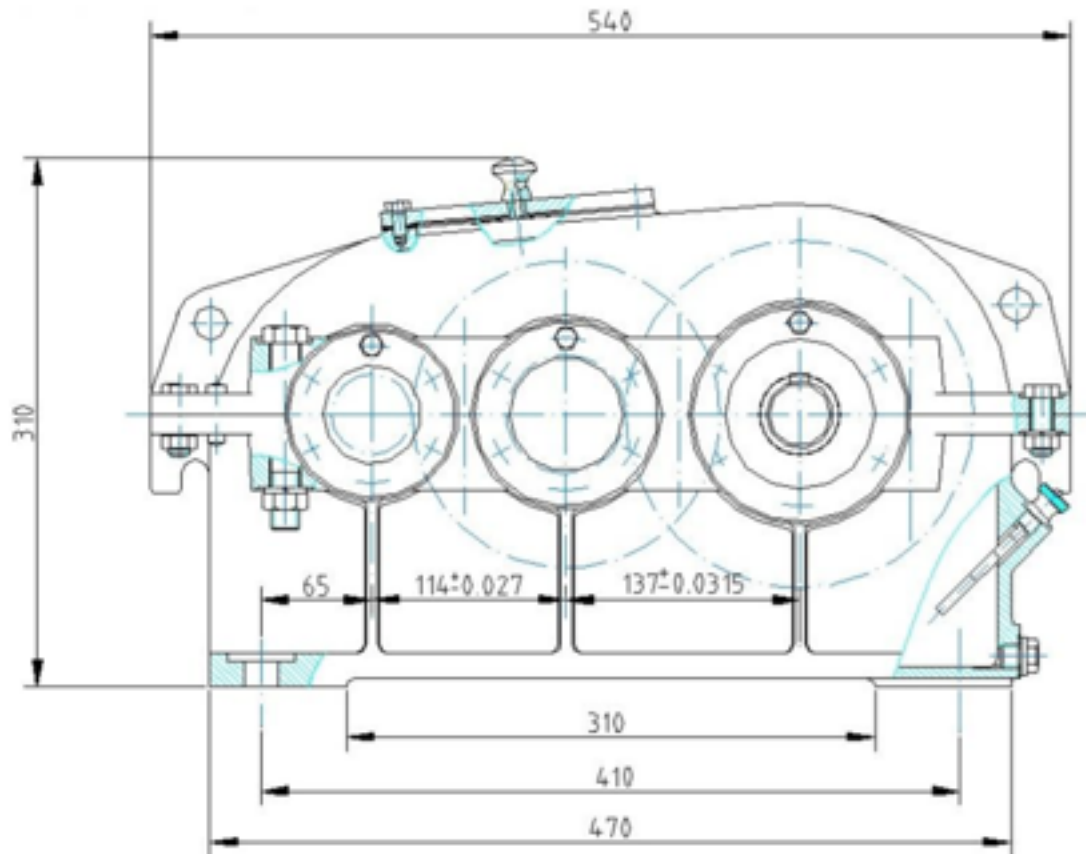
Have you ever found that when you open a drawing, you see your texts are missing? You only see them as boxes like below.



This is actually a setting to simplify the drawing appearance. By simplifying the text appearance, you can work with drawing faster. Check the trick to turn on the missing text in your drawing.

QTEXT

The system variable that responsible for this appearance is QTEXTMODE. This system variable is stored in drawing, so it's drawing specific. Not for all drawings. You can turn it on/off by typing QTEXTMODE. Value 1 means it is active and 0 is inactive (default). So use it only when you don't work with text.



Online URL: <https://www.kb2.gstarcad.com.my/article.php?id=1101>