

DIMSPACE command

2091 GstarCAD MY /KW August 11, 2021 [CAD Commands](#) 0 2465

The **DIMSPACE** command is used to modify the space of linear dimensions or angular dimensions.

Command Access:

Ribbon : Annotation > Dimension > DIMSPACE

Menu : Dimension > Dimension Space

Command : DIMSPACE

Command Prompts:

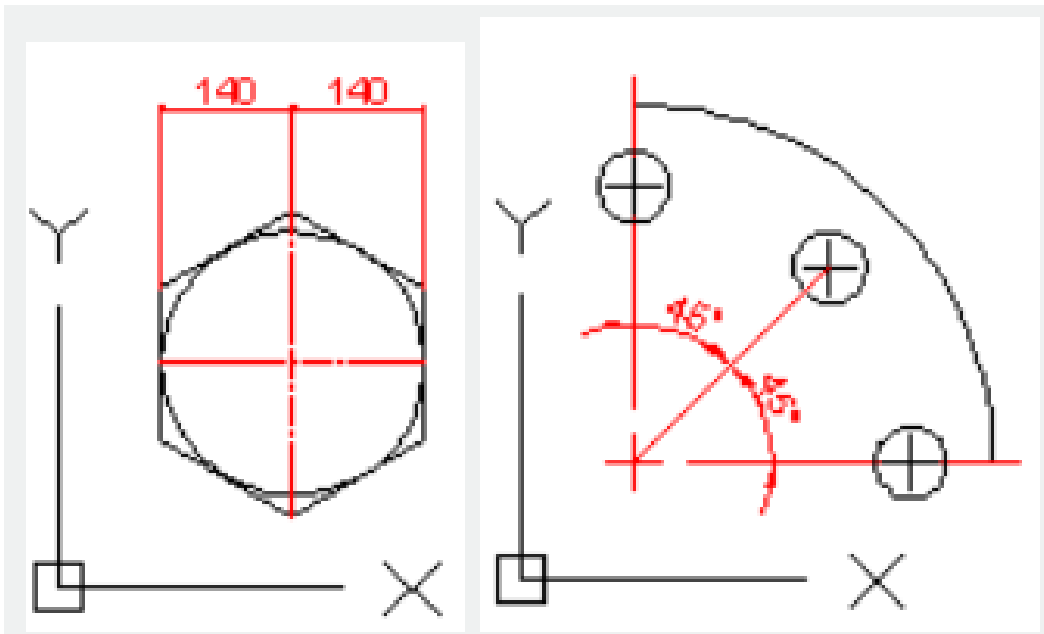
Select base dimension:

Select dimension to space :

Enter value or [Auto]<Auto>:

Function Description:

Users could specify equal space for parallel dimension extension lines. They could also specify its space to 0 to make linear dimension or angular dimension alignment. This command is only applied on parallel dimensions or angular dimension which sharing one vertex.



Relative Glossary:

Enter value:

Enter value for space and apply it on selected dimensions. If the inputted value is 0, the selected linear dimension and angular dimension will be aligned.

Auto:

Automatically calculate space of dimension extension lines. It is based on its baseline dimension style and its text height. The calculated space is twice of its dimension height.

Online URL: <https://www.kb2.gstarcad.com.my/article.php?id=2091>