

Reset Dim Text Value

2656 GstarCAD MY /KW November 12, 2021 [Workflow](#) 0 2266

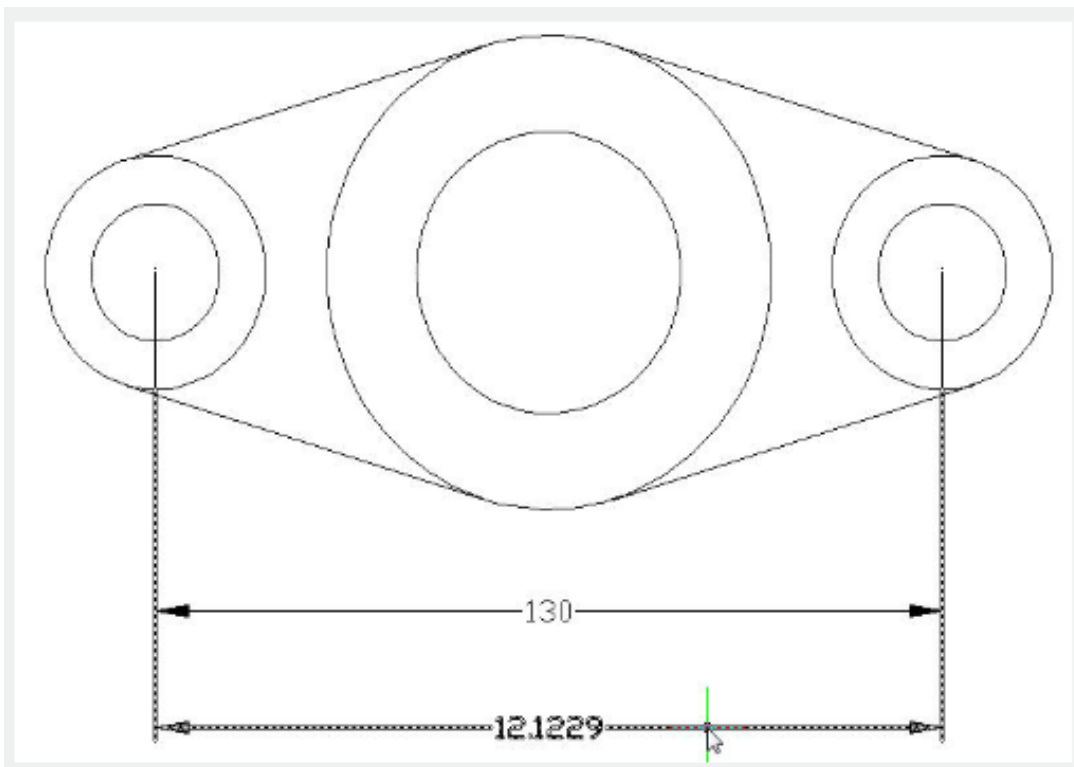
Restore a measurement value to overridden or modified dimension text.

Menu: Express>Dimension>Reset Dim Text Value

Command Entry: DIMREASSOC

Command line prompts as follows:

Select object: Select dimension objects with non-associative text or press ENTER to quit



Online URL: <https://www.kb2.gstarcad.com.my/article.php?id=2656>