

# Dimreassociate command

2738 GstarCAD MY /KW April 15, 2022 [Workflow](#) 0 3717

## Function Description:

This command is used to associate or reassociate selected dimensions to objects or points on objects.

## Command Access:

### Icon:

**Menu:** Dimension > Reassociate Dimensions

**Ribbon:** Annotation > Dimension > Reassociate Dimensions

**Toolbar:** /

**Command:** DIMREASSOCIATE

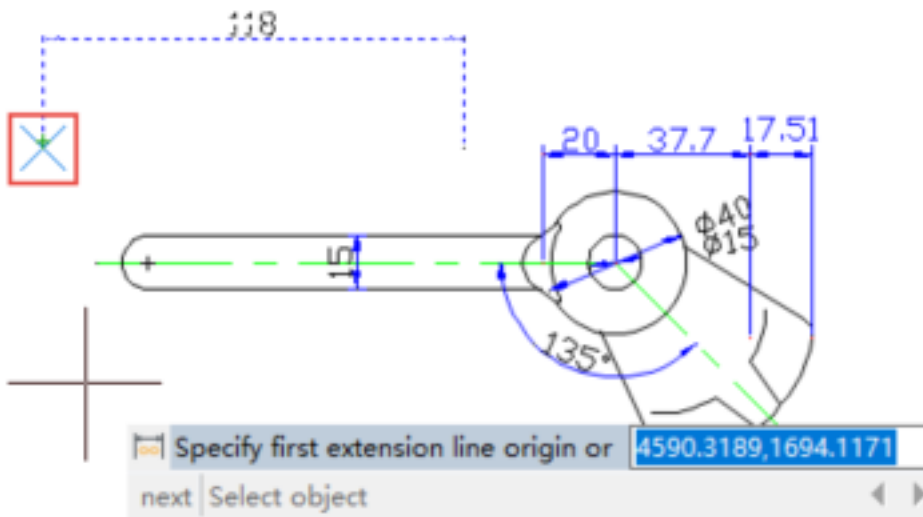
**Alias:** /

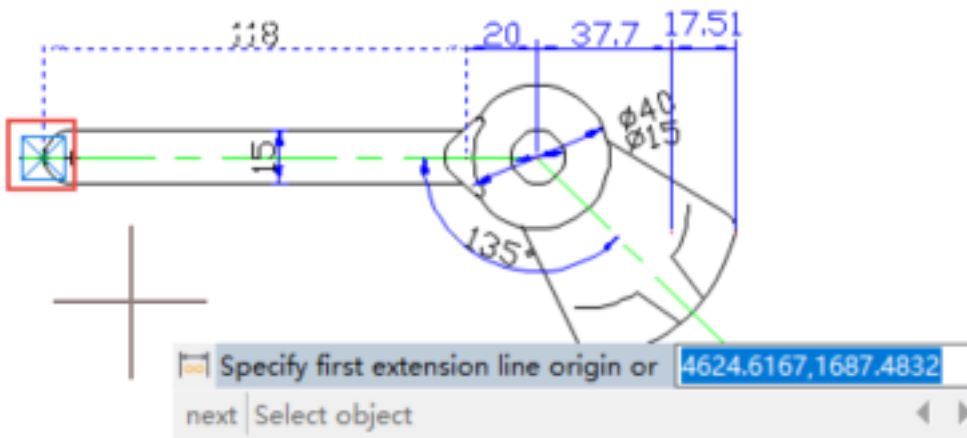
## Command Prompts:

Select objects or [Disassociated]:

## Select objects

When the defining point of selected dimension object doesn't associate with the geometry, the X mark is displayed. When the defining point of the selected dimension object associates with the geometry, the ☒ mark is displayed.





## Disassociated

All of dimensions that have any disassociated defining point with geometries in the drawing will be selected to associate or reassociate one by one. You can press Esc to stop the command, but associations you have made will be kept.

---

Related tutorial video:

- [Dimstyle command](#) 00:27
- [Dimlinear command](#) 02:29
- [Menus and Shortcut Menus](#) 02:41
- [Dimaligned command](#) 02:51
- [Dimangular command](#) 03:11
- [Dimarc command](#) 03:19
- [Dimradius command](#) 03:31
- [Dimdiameter](#) 03:41
- [Dimcontinue command](#) 04:08
- [Dimbaseline command](#) 04:46
- [Dimcenter](#) 05:07
- [QDIM command](#) 05:30
- [Menus and Shortcut Menus](#) 07:05
- [Properties command](#) 07:08
- [Propertiesclose command](#) 07:08
- [Dimbreak command](#) 07:43
- [Menus and Shortcut Menus](#) 08:34

- [Dimreassociate command](#) 08:52
- [Dimtoffset command](#) 09:19
- [Dimregen command](#) 09:29

Above video sources from [TUTORIAL - GETTING STARTED WITH GSTARCAD](#), enrol now for free.

Online URL: <https://www.kb2.gstarcad.com.my/article.php?id=2738>